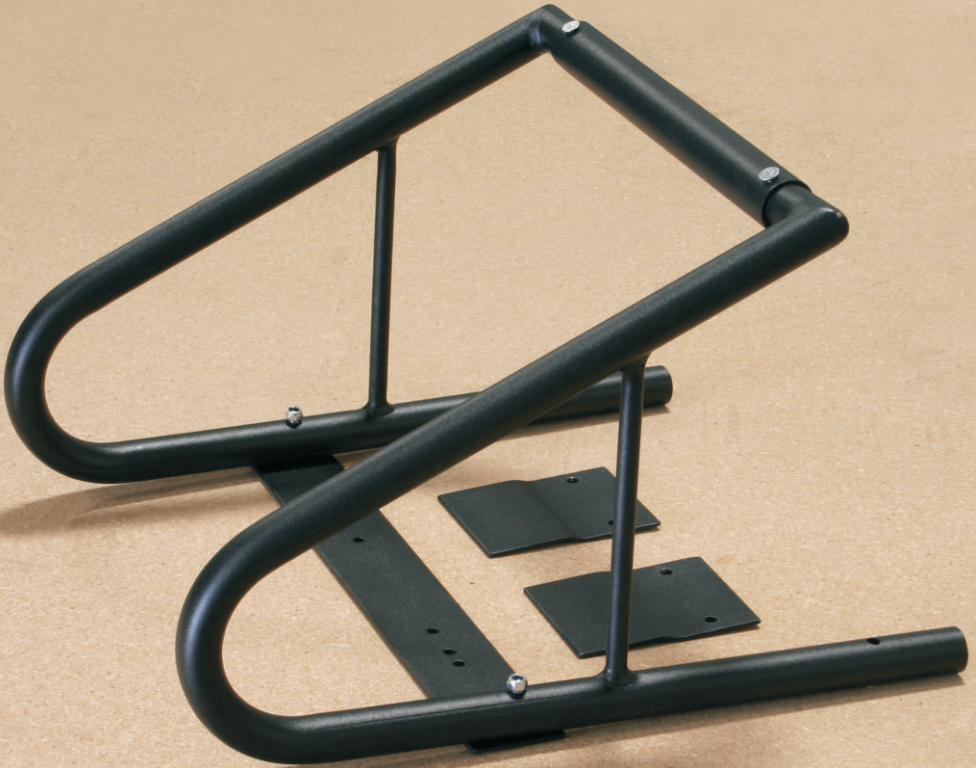




ATV UNIVERSAL WHEEL CHOCK

Owner's Manual



Patent Pending

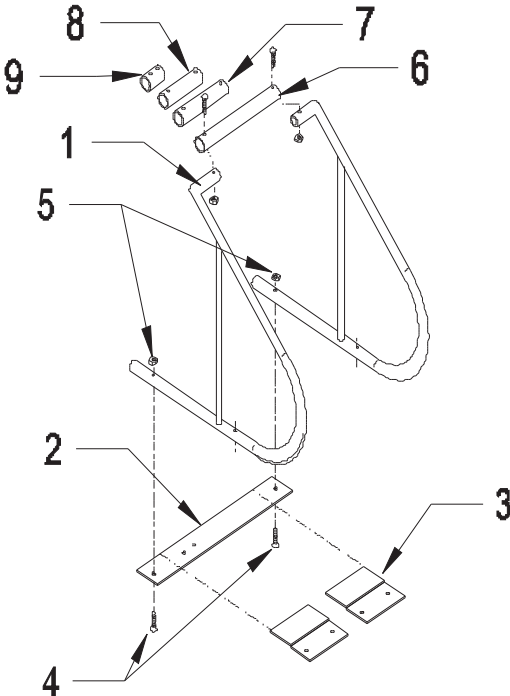
Congratulations on your purchase of Komodo Motorcycle / ATV Wheel Chock. We build the Wheel Chock to be durable for years of trouble free use. We provide you the innovative design which allows the Wheel Chock to be used for both motorcycles and ATV's by the feature of adjustable width tubes. With proper installation and maintenance the Wheel Chock will be a reliable tool providing greater safety and reduced chance of damage to ATV during transport.

#UWCP

WARNINGS

- ▲ Read, study, and follow all instructions before attempting to use these devices. Failure to follow instruction or heed warnings may result in personal and/or property damage.
- ▲ Do not attach wheel chock where it may cause someone to trip over it.
- ▲ Make sure bolts are tight and periodically check for tightness as vibration may cause nut to loosen over time and can cause damage to chock or vehicle.
- ▲ Do not use chock as a stopping means, it is intended for holding ATV or motorcycle in place not stopping it.
- ▲ Use additional tie-downs to hold ATV or motorcycle in place; do not rely solely on chocks.
- ▲ Always use common sense when loading vehicle onto trailer; make sure trailer is secure and can not move before attempting to load vehicle.
- ▲ Make sure bolts do not protrude such that puncture, damage to vehicle, or injury to persons is possible, cut any extra length and file smooth if necessary.

Parts List // Diagram



No.	Qty.	Description
1	2	Wheel Chock Side
2	1	Mounting Plate "B"
3	2	Mounting Plate "A"
4	4	6mm x 54mm Flat Head Screws
5	4	6mm Nylon Lock Nut
6	1	10½" Extender Tube
7	1	4½" Extender Tube
8	1	3½" Extender Tube
9	1	1½" Extender Tube

Assembly Instructions (Removable):

- ▲ Decide what width is needed for proper support of tire. The chock is adjustable to the four most common tire sizes. (3-1/2, 5-1/2, 6-1/2, and 12-1/2). Choose proper width tube (6,7,8,9) and attach to Wheel Chock Sides (1) using 2ea. Screw (4) and Nut (5). Note: screw head should be on top and nut underneath.
- ▲ Next attach mounting plate "B" (2) to the base of the chock tube with nut (5) and bolt (4). Note: Install mount "B" on underside of tube as shown.
- ▲ Place ATV or Motorcycle where it will be carried and slide wheel chock over tire and into place. Note: make sure chock does not interfere with any part of ATV or motorcycle. Place mounting plates "A" (3) over mount "B" (2) and mark the hole locations through the holes in mount "A" and repeat for remaining chocks. Move ATV or motorcycle and using proper screws (not supplied) mount "A" to the floor of the trailer.
- ▲ Replace wheel chock and test to make sure tire/wheel fits properly.

Assembly Instructions (Fixed):

- ▲ Decide what width is needed for proper support of tire. The chock is adjustable to the four most common tire sizes. (3-1/2, 5-1/2, 6-1/2, and 12-1/2). Choose proper width tube (6,7,8,9) and attach to Wheel Chock Sides (1) using 2ea. Screw (4) and Nut (5). Note: screw head should be on top and nut underneath.
- ▲ Place ATV or Motorcycle where it will be carried and slide wheel chock over tire and into place. Note: make sure chock does not interfere with any part of ATV or motorcycle. Mark the hole locations through the holes in the chock tube and repeat for remaining chocks. Move ATV or motorcycle and using proper screws (not supplied) attach chock to the floor of the trailer. Note: Do not use mounting plates if permanently affixing Wheel Chock.
- ▲ Make sure tire/wheel fits properly.

Use of Chock:

- ▲ Once the Wheel Chock is installed properly, check fit and function, making sure to use all safety fastening methods.

Komodo Motorcycle/ATV Wheel Chock Limited Warranty

KOMODO., ("Distributor") warrants its MOTORCYCLE /ATV WHEEL CHOCK product (the "Products") as follows:

1. Limited Warranty.

Distributor warrants to original purchaser, providing Proof of Purchase, that the Products sold hereunder will be free from defects in material and workmanship for a period of one year from date of purchase. If the products do not conform to this Limited Warranty during the warranty period (as herein specified), Buyer shall notify Distributor, in writing, within the warranty period, and the defects are of such type and nature as to be covered by this warranty, Distributor shall, at its own expense, furnish replacement products or, at Distributor's option, replacement parts for the defective products. Shipping and installation of the replacement Products or replacement parts shall be at Buyer's expense.

2. Other Limits.

THE FOREGOING IS IN LIEU OF ALL OTHER WARRANTIES, EXPRESS OR IMPLIED, INCLUDING BUT NOT LIMITED TO THE IMPLIED WARRANTIES OF MERCHANTABILITY AND FITNESS FOR A PARTICULAR PURPOSE. Distributor does not warrant against damages or defects arising out of improper or abnormal use or handling of the Products; against defects or damages arising from improper installation, against defects in products or components. Distributor passes on to Buyer the warranty received (if any) from the maker thereof of such Manufacturer made products or components. This warranty also does not apply to Products upon which repairs have been affected or attempted by persons other than pursuant to written authorization by Distributor. Fasteners are not covered in this warranty.

3. Exclusive Obligation.

THIS WARRANTY IS EXCLUSIVE. The sole and exclusive obligation of Distributor shall be to repair or replace the defective Products in the manner and for the period provided above. Distributor shall not have any other obligation with respect to the Products or any part thereof, whether based on contract, tort, strict liability, or otherwise. Under no circumstances, whether based on this Limited Warranty or otherwise, shall Distributor be liable for incidental, special, or consequential damages.

4. Other Statements.

Distributor's employees or representatives' ORAL OR OTHER WRITTEN STATEMENTS DO NOT CONSTITUTE WARRANTIES, and shall not be relied upon by Buyer, and are not a part of the contract for sale or this Limited Warranty.

5. Entire Obligation.

This Limited Warranty states the entire obligation of Distributor with respect to the Products. If any part of this Limited Warranty is determined to be void or illegal, the remainder shall remain in full force and effect.

Item # _____ UWCP _____
Purchase Date: _____
Retailer's Name: _____

Notes

For parts or warranty issues contact:
KOMODO ATV Accessories
1311 John Reed Ct.
City of Industry, CA 91745 USA
1(800)333-8889