



# UTV ROOF RACK CARRIER

## Owner's Manual



Congratulations on your purchase of this Komodo UTV Roof Rack Carrier. We build the carrier to be durable for years of trouble free use. We provide you with innovative design features which allows the carrier to be used universally for most UTV's with a roll cage. With proper installation and maintenance your Cab Rack will be a reliable tool providing greater use and will increase the value of your UTV.

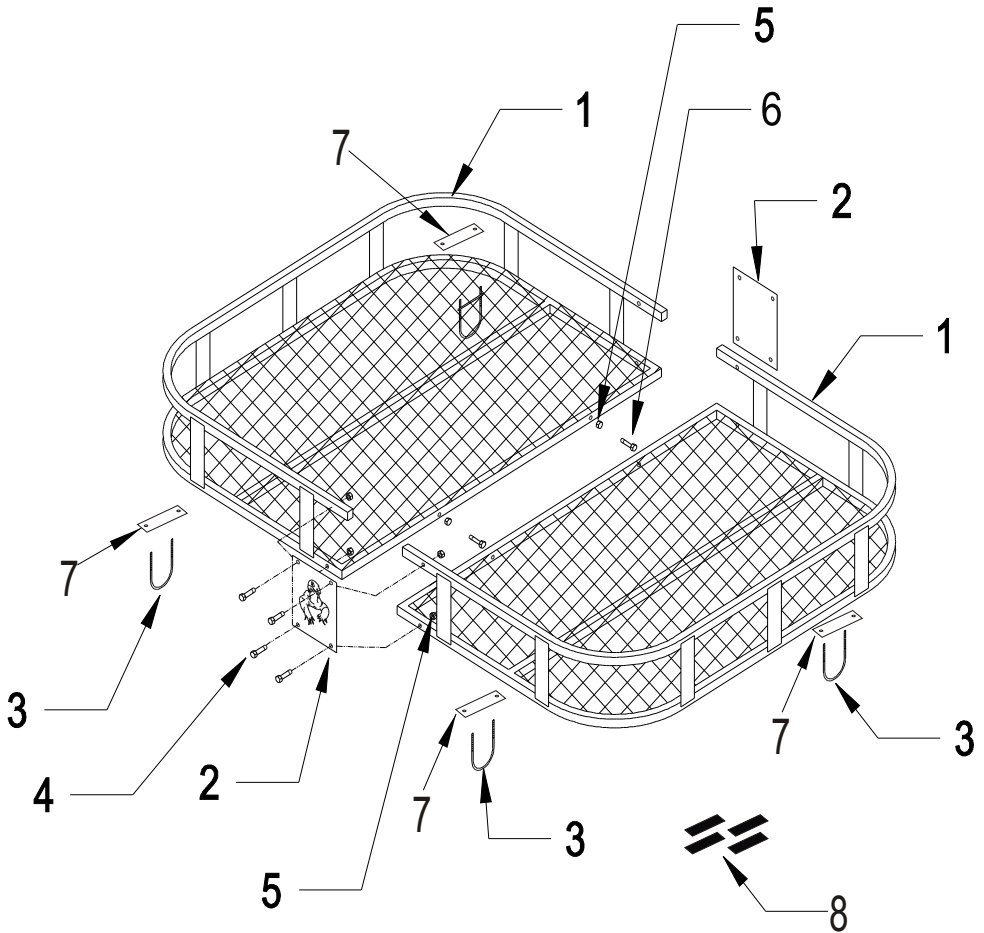
#UTVRR

## WARNINGS

- ▲ Read, study, and follow all instructions before attempting to use these devices. Failure to follow instruction or heed warnings may result in personal and/or property damage.
- ▲ Do not attach Roof Rack Carrier where it will interfere with safe operation of UTV.
- ▲ Read, study, and follow all instructions before attempting to use these devices. Failure to follow instruction or heed warnings may result in personal and/or property damage.
- ▲ Do not attach Roof Rack carrier where it will interfere with safe operation of UTV.
- ▲ Do not attach Roof Rack carrier where it may extend out beyond UTV and get caught on passing objects.
- ▲ Always secure items in the carrier with straps or other means to make sure items can not fly out.
- ▲ Caution should be taken if bungee's or rubber straps are used to hold item in carrier as these may allow for item to bounce and can cause injury if strap disengages or snaps.
- ▲ Do not place items in carrier which exceed 50 lbs. or cause an unbalanced load. Load to be equally distributed over carrier.
- ▲ Do not make high speed maneuvers which may increase the risk of roll-over.
- ▲ Do not transport flammable liquids as the may spill as the vehicle is in motion, causing possible damage or injury to UTV or rider.
- ▲ Make sure all bolts are tight before use and periodically check for tightness as vibration may cause nuts to loosen over time and can cause damage to carrier or personal injury.
- ▲ Do not force screws as this may cause threads to strip, which may cause damage to carrier or personal injury.

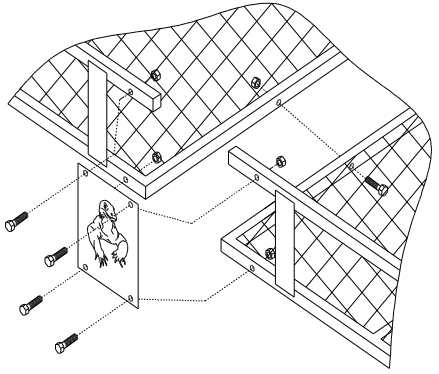
# Parts List // Diagram

| No. | Qty. | Description                |
|-----|------|----------------------------|
| 1   | 2    | Roof Rack Half             |
| 2   | 2    | Mending Plate w/logo       |
| 3   | 4    | 1 1/4" U-bolt w/Nylock Nut |
| 4   | 8    | 6mmX35mm Hex Bolt          |
| 5   | 10   | 6mm Nylock Nut             |
| 6   | 2    | 6mmX41mm Hex Bolt          |
| 7   | 4    | Mounting Brackets          |
| 8   | 4    | Adhesive Foam Strips       |



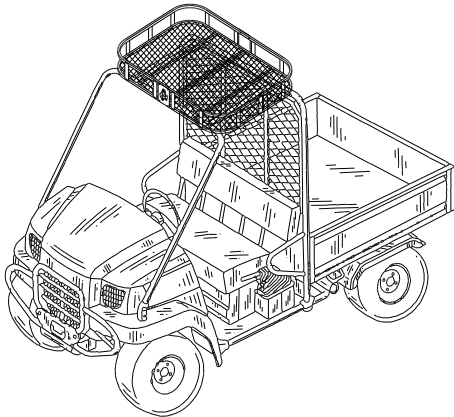
## Assembly Instructions (Carrier):

- ▲ Set Roof Rack Halves (1) on a flat surface. Using 4ea. Screw (4) and 4ea. Nylok Nut (5) line up holes of Mending Plate (2) with holes in the ends of the Roof Rack Half's and insert screws. Do not tighten screws. Repeat on other side. Note: make sure that logo is facing outwards and is not upside-down.
- ▲ Next flip carrier over. Using 2ea. Screws (6) and 2ea. Nylok nut (5), insert screws joining the two halves together and tighten.
- ▲ Finally tighten all screws making sure Roof Rack is tight and square.

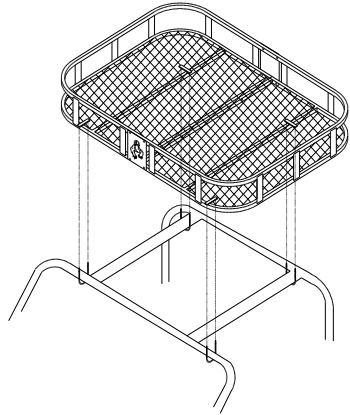


## Attachment Instructions:

- ▲ Using 4ea U-bolts (3), secure the assembled Roof Rack to the top of the UTV, placing the U-bolts to the outermost corners of the rack and keeping it centered. Note: The U-bolts should be placed where they straddle the factory Roll tube.  
**WARNING: Do not attach Roof Rack by mesh; assure that the bolt heads and brackets are facing upwards inside of carrier not into the cab to prevent personal injury.**  
Any extra Bolt length should be cut down flush with nut to prevent damage to items.



Center above cab



U-bolts face up

## Use of Carrier:

- ▲ Once Roof Rack Carrier is installed properly, place items to carry equally across rack and properly secure using tie-downs or additional fastening method.

**Note: make sure screws are tightened before using carrier.**

Patent Pending

For parts or warranty issues contact:  
**KOMODO ATV Accessories**  
1311 John Reed Ct.  
City of Industry, CA 91745 USA  
1(800)333-8889