



UTV HITCH BUMPER

Owner's Manual



Congratulations on your purchase of Komodo UTV Hitch Bumper. We build the hitch to be durable for years of trouble free use. We provide you the innovative design feature which allows you to be able to easily attach a bumper to your UTV without having to permanently attach it. Another advantage of this product allows for adjustment to the bumper height and provides a Hitch ball. With proper installation and maintenance the hitch bumper will be a reliable tool providing greater use and will increase the value of your UTV

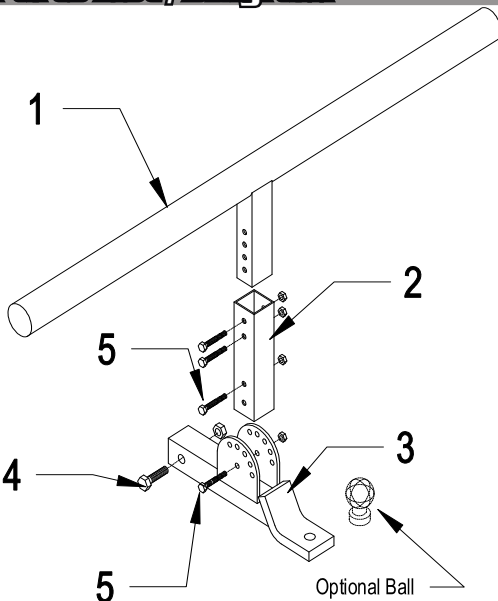
#UTVHB

WARNINGS

FOR OFF-ROAD USE ONLY!

- ▲ Read, study, and follow all instructions before attempting to use these devices. Failure to follow instruction or head warnings may result in personal and/or property damage.
- ▲ Do not attach Hitch Bumper where it will interfere with safe operation of UTV.
- ▲ Make sure bolts are tight before use and periodically check for tightness as vibration may cause nut to loosen over time and can cause damage to hitch or personal injury to rider.
- ▲ Always check to make sure cotter pin and hitch pin are in good shape, if not replace.
- ▲ Be aware of ground clearance when using hitch as steep hills may reduce clearance.
- ▲ Always check to make sure all connections at hitch are correct.
- ▲ Do not exceed manufactures rating for towing with UTV.
- ▲ Do not exceed safe speeds when towing any accessory; refer to accessory manual or limitations.
- ▲ Due to towing load, the steering may be affected, use caution when towing heavy loads.
- ▲ Be aware of engine temperature as towing may put extra load on UTV engine and cause it to heat up; give the engine periodic breaks to avoid overheating.
- ▲ Use caution when engaging or disengaging towing accessory; as some can be heavy and may require two people for safety reasons.
- ▲ Make sure towing accessory is properly aligned with hitch and do not use if the hitch is out of alignment.

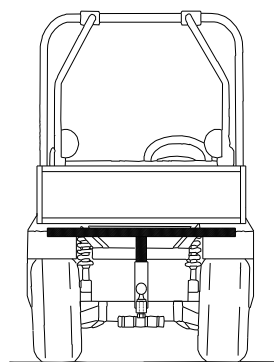
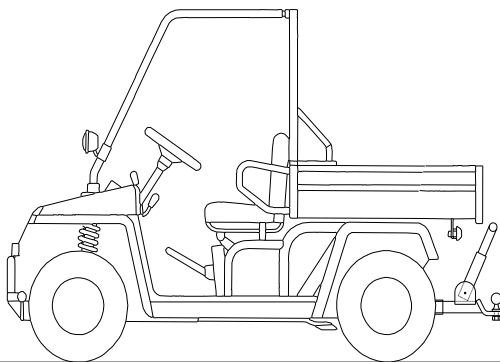
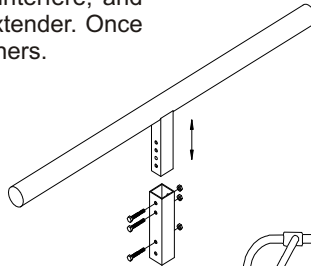
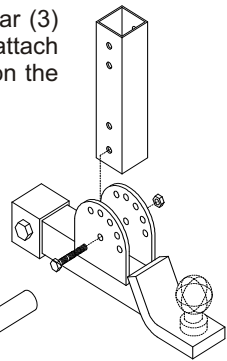
Parts List // Diagram



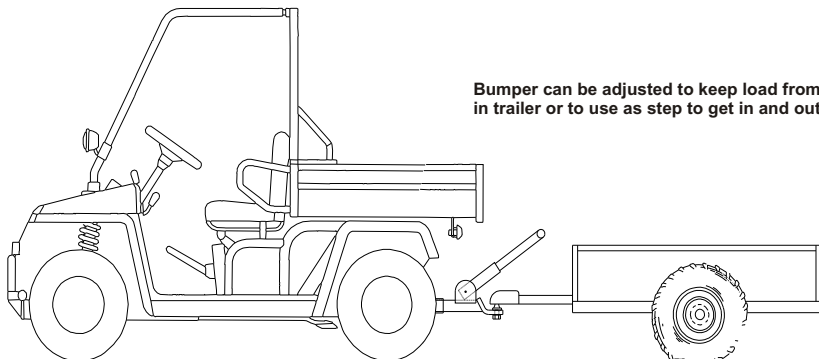
No.	Qty.	Description
1	1	Bumper Tube
2	1	Extender Tube
3	1	Drawbar
4	1	5/8"x3¼" Bolt & Locknut
5	4	3/8"x2½" Bolt & Locknut

Assembly Instructions (Removable)

1. Using the included Bolt and washer (4) insert through the Drawbar (3) attaching hitch to UTV receiver. Next use one each Bolt and Nut (5) attach through the center hole on the drawbar (3) and the bottom hole on the Extender tube (2). Do not tighten bolts yet.
2. Next insert the Bumper (1) by sliding into Extender tube (2). At this point, the bumper needs to be decided upon its location. First rotate the bumper into position and insert a Bolt and Nut (5) into hole closest to angled position.
3. Next, extend Bumper (1) up to level making sure tailgate and other components do not interfere, and insert a Bolt and Nut (5) into hole on extender. Once satisfied with the position tighten all fasteners.



Bumper can be adjusted to keep load from shifting in trailer or to use as step to get in and out of bed.



Use of Chock

Once Hitch Bumper is installed properly, the rear of the UTV has some protection and you can tow safely. Check towing accessory making sure to use all safety fastening methods, ex. chains. The Bumper can be reconfigured to different angles and extended by simply removing the Bolt and Nut; then reinserting into position and tightening. This is handy when towing as it can be used to prohibit load shift or as a step to allow easy access to bed.

Komodo UTV Hitch Bumper Limited Warranty

KOMODO., ("Distributor") warrants its UTV HITCH BUMPER products (the "Products") as follows:

1. Limited Warranty.

Distributor warrants to original purchaser, providing **Proof of Purchase**, that the Products sold hereunder will be free from defects in material and workmanship for a period of **one** year from date of purchase. If the products do not conform to this Limited Warranty during the warranty period (as herein specified), Buyer shall notify Distributor, in writing, within the warranty period, and the defects are of such type and nature as to be covered by this warranty, Distributor shall, at its own expense, furnish replacement products or, at Distributor's option, replacement parts for the defective products. Shipping and installation of the replacement Products or replacement parts shall be at Buyer's expense.

2. Other Limits.

THE FOREGOING IS IN LIEU OF ALL OTHER WARRANTIES, EXPRESS OR IMPLIED, INCLUDING BUT NOT LIMITED TO THE IMPLIED WARRANTIES OF MERCHANT ABILITY AND FITNESS FOR A PARTICULAR PURPOSE. Distributor does not warrant against damages or defects arising out of improper or abnormal use or handling of the Products; against defects or damages arising from improper installation, against defects in products or components. Distributor passes on to Buyer the warranty received (if any) from the maker thereof of such Manufacturer made products or components. This warranty also does not apply to Products upon which repairs have been affected or attempted by persons other than pursuant to written authorization by Distributor. Fasteners are not covered in this warranty.

3. Exclusive Obligation.

THIS WARRANTY IS EXCLUSIVE. The sole and exclusive obligation of Distributor shall be to repair or replace the defective Products in the manner and for the period provided above. Distributor shall not have any other obligation with respect to the Products or any part thereof, whether based on contract, tort, strict liability, or otherwise. Under no circumstances, whether based on this Limited Warranty or otherwise, shall Distributor be liable for incidental, special, or consequential damages.

4. Other Statements.

Distributor's employees or representatives' ORAL OR OTHER WRITTEN STATEMENTS DO NOT CONSTITUTE WARRANTIES, and shall not be relied upon by Buyer, and are not a part of the contract for sale or this Limited Warranty.

5. Entire Obligation.

This Limited Warranty states the entire obligation of Distributor with respect to the Products. If any part of this Limited Warranty is determined to be void or illegal, the remainder shall remain in full force and effect.

Please register your product at www.komodoatvacc.com

Item # _____ UTVHB _____
Purchase Date: _____
Retailer's Name: _____

Notes

For parts or warranty issues contact:
KOMODO ATV Accessories
1311 John Reed Ct
City of Industry, CA 91745 USA
1(800)333-8889