



# UTV BED EXTENDER

## Owner's Manual

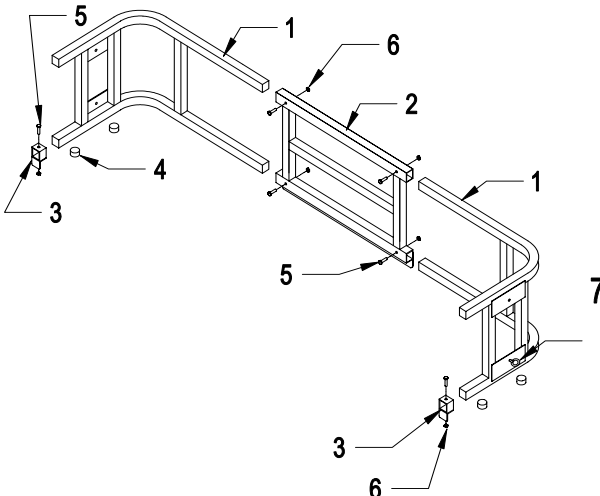


Congratulations on your purchase of Komodo UTV Bed Extender. We build the extender to be durable for years of trouble free use. We provide you the innovative design which allows the Extender to give extra carrying space by utilizing the factory tailgate and providing support means to prevent items from sliding out of bed. The extender can be easily removed when not in use. With proper installation and maintenance the extender will be a reliable tool providing greater use and will increase the value of your UTV.

## WARNINGS

- ▲ Read study and follow all instructions before attempting to use these devices. Failure to follow instructions or heed warnings may result in personal and /or property damage.
- ▲ Do not attach extender where it will interfere with safe operation of UTV.
- ▲ Do not attach extender where it may extend out beyond UTV bed sides and get caught on passing objects.
- ▲ Always secure items in the bed with straps or tarps and make and make sure items can not fly off.
- ▲ Caution should be taken if bungee's or rubber straps are used to hold item in bed as these may allow for item bounce and can cause injury if strap disengages or snaps.
- ▲ Do not place items on tailgate which exceed 100 lbs. or the limit of the factory UTV tailgate.
- ▲ Do not use extender unless properly attached to tailgate, strap is tight and stops are in place.
- ▲ Special care should be taken when transporting flammable liquids as they may spill as the vehicle is in motion, causing possible damage or injury to UTV or rider.
- ▲ Make sure all bolts are tight before use and periodically check for tightness as vibration may cause nuts to loosen over time and can cause damage to extender or personal injury.
- ▲ Do not force screws as this may cause threads to strip, which may cause damage to extender or personal injury.
- ▲ Maintain a safe speed when traveling with gear or load in UTV bed

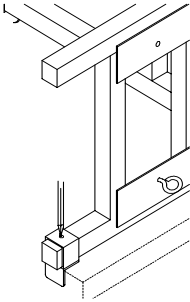
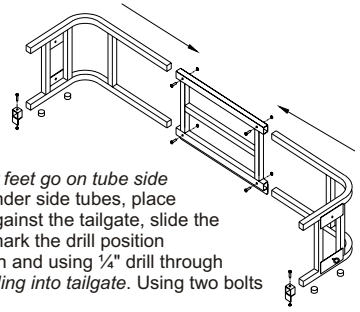
## Parts List // Diagram



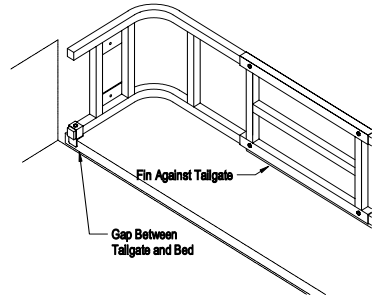
No	Qty	Description
1	2	EXTENDER SIDES
2	1	EXTENDER CENTER
3	2	EXTENDER STOPS
4	4	RUBBER FEET
5	6	6mm x 25.4 HEX BOLT
6	6	6mm LOCK NUT
7	2	EYE BOLTS

## Assembly Instructions :

- ▲ Insert extender side (1) into extender center (2), adjusting to the appropriate width for the UTV bed. Using a 1/4" drill bit, drill through the holes in the extender center to allow for bolt(5) to be inserted. Using four bolts (5) and Locknut (6) fasten extender sides to extender center.
- ▲ Next apply rubber feet (4) onto bottom of extender sides. *Note: Rubber feet go on tube side with extender center fin.* Slide the two extender stops (3) onto the extender side tubes, place extender onto tailgate and position. With fin of extender center firmly against the tailgate, slide the extender stops (3) into gap between tailgate and bed. Using a pencil, mark the drill position through the stop hole on the side tubes. Remove extender from position and using 1/4" drill through marked locations. *Note: do not drill in place to prevent possibility of drilling into tailgate.* Using two bolts (5) and Locknuts (6) attach extender stops to extender tubes



Slide Stops in place and mark drilling position



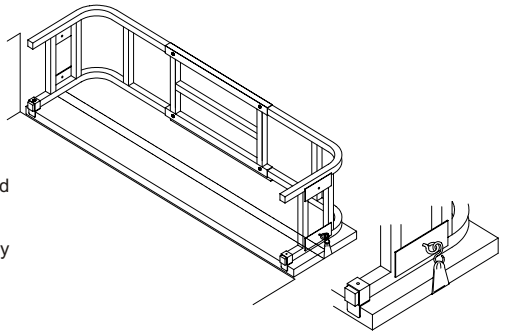
## Attachment Instructions :

Place extender onto tailgate making sure tailgate fin and gap stops fit properly. Attach Eye Bolts (7) one each side of extender in the hole provided.

*Note: there is a hole in the top plate and one in the bottom, decide which to use based on your tie down strap length.*

Using a standard tie down strap, with hook ends. (**Not Provided**) attach one hook to each eye bolt and around tailgate.

Tighten strap to hold extender from lifting up. Tie off any extra strap length and make sure extender is secure.



### Use of carrier:

Once UTV extender is installed properly, properly secure load using tie-downs or additional fastening method

*Note: make sure fasteners are tightened before use.*

To view our complete ATV/UTV accessories line please visit us at  
[www.komodoatvacc.com](http://www.komodoatvacc.com)

