



# 350 lbs Seeder / Spreader

## Owner's Manual



Congratulations on your purchase. You have purchased a dependable and sturdy seeder/spreader, but only by proper care and operation can you expect to receive the service and long life designed and built into it. This manual contains valuable information about your new Seeder/Spreader. It has been carefully prepared to give you helpful suggestions for operating, adjusting, servicing and ordering repair parts.

**Keep this manual in a convenient place for quick and easy reference. Study it carefully. If in the future your seeder may need new parts to replace those that are worn or broken, if so, call 1 (800)333-8889 and provide the model, part number, and proof of purchase and we will replace the part as outlined in our Limited Warranty.**

## WARNINGS

***It is the purchaser and/or operator's responsibility to:***

- ▲ Read and understand the information contained in this manual.
- ▲ Operate, lubricate, assemble and maintain the equipment in accordance with all instructions and safety procedures in this manual.
- ▲ Inspect the equipment and replace or repair any parts that are damaged or worn which under continued operation would cause damage, wear to other parts, or cause a safety hazard.
- ▲ Payment of all costs incurred for transporting the equipment or parts for warranty inspection and or claims.

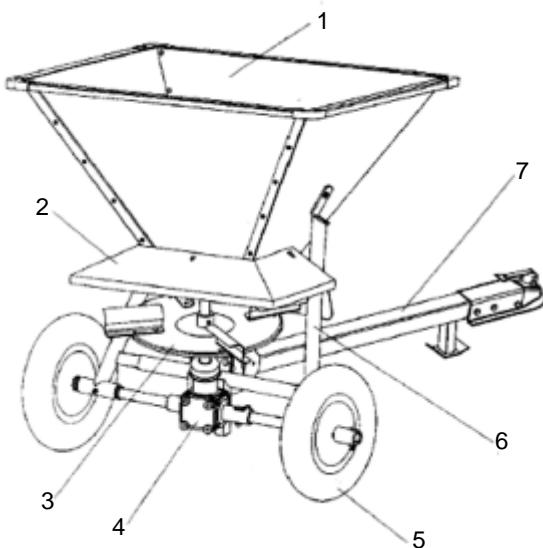
## Contents

Assembly	2
Introduction	5
General Information	5
Safety Information	5-7
Connections	8
Spreader Use	8-10
Maintenance / Storage	10-11
Warranty	11

## Parts List / Diagram

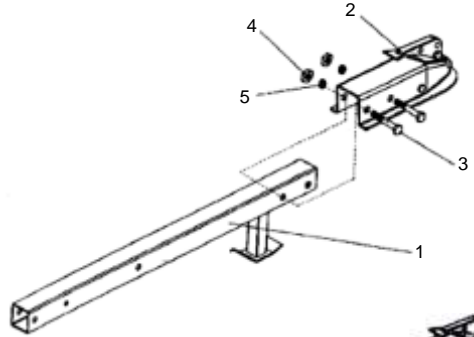
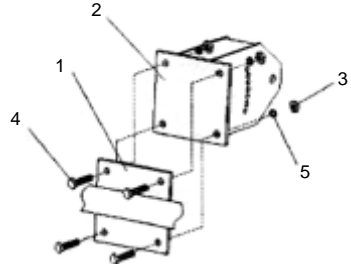
The spreader comes partially assembled, the transmission and drive shafts are factory assembled.

Qty.	Description	Qty.	Description
1	Spreader Transmission	1	Hopper Auger
2	Wheels / Tire	1	M10 x 50 Bolt
1	Adjustable Bracket	1	M10 Flat Washer
2	M8 x 50 Bolt	1	M10 Lock Nut
2	M8 Flat Washer	3	M8 x 20 Bolt
2	M8 Lock Nut	3	M8 Flat Washer
1	Towing Coupler	3	M8 Lock Washer
1	Tow Bar	3	M8 Hex Nut
4	M8 x 25 Bolt	3	Windrift Braces
4	M8 Lock Washer	1	Windrift Shield
4	M8 Hex Nut	3	M6 x 16 Bolt
2	M12 x 70 Bolt	3	M6 Lock Washer
2	M12 Lock Washer	3	M6 Flat Washer
2	M12 Hex Nut	3	M6 Hex Nut
1	M12 x 75 Bolt	1	Locking Knob
1	M12 Lock Nut	1	Guide
1	M8 x 70 Bolt	1	Square Nut
1	M8 Lock Nut	1	Connecting Rod
44	M6 x 12 Bolts	1	M10 x 75 Bolt
44	M6 Flange Nut	1	Spring
4	Corner Cap	1	Handle Washer
1	Bottom plate Assembly	2	Adjustable Handles
4	Hopper Sides	1	M10 Lock Nut
3	M10 x 25 bolts	2	M8 Flat Washer
3	M10 Lock Washer	4	Cotter Pin
3	M10 Flat Washer	1	Handle Pin
3	M10 Hex Nut	1	Shaft Pin
		2	M10 Flat Washer



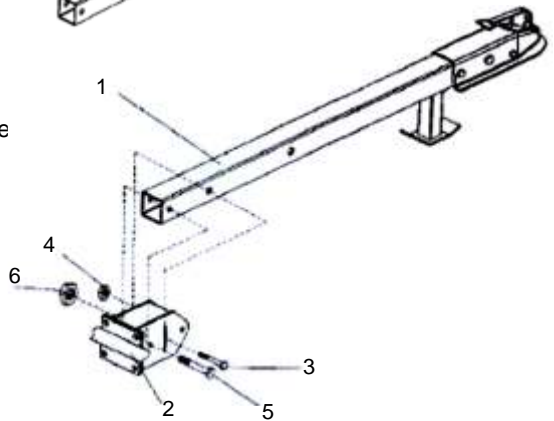
## Assembly Instructions (Removable)

1. Remove spreader components from box; check that you received all necessary parts. If you are missing a component please call (800)333-8889 for replacement.
2. Attach the tow bar adjustable plank (2) to the frame plate (1), using 4 ea. (M8) Bolts (4), nuts (3), and lock washers (5), as shown.
3. Assemble coupler (2) to tow bar (1), using 2 ea. (M12) bolts (3), nuts (4) and lock washer (5).



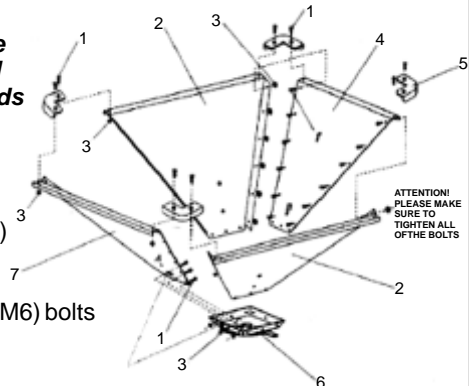
4. Assemble tow bar (1) to adjustable bracket (2), using 1 ea. (M12) main bolt (5) and lock nut (6). Attach angle adjustment bolt (3) using 1 ea. (M8) bolt (3) and lock nut (4).

**Note: the adjustment bolt is used to level the spreader for correct spread, place where needed to keep spreader level to vehicle and terrain.**

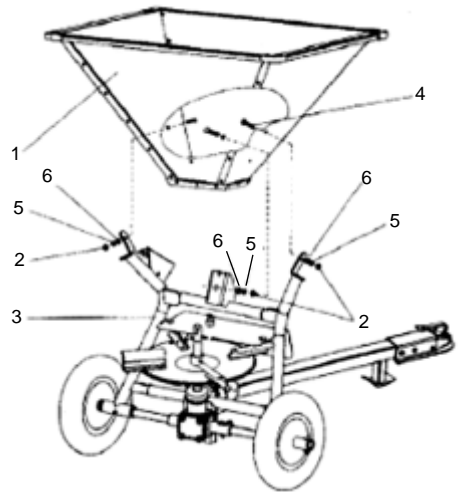


5. Assemble hopper and bottom plate assembly. **Make sure label on hopper and bottom plate assembly line up. Leave bolts loose until all are in place, and then tighten. Fastener heads to be inside hopper so not to interfere with spreader material.**

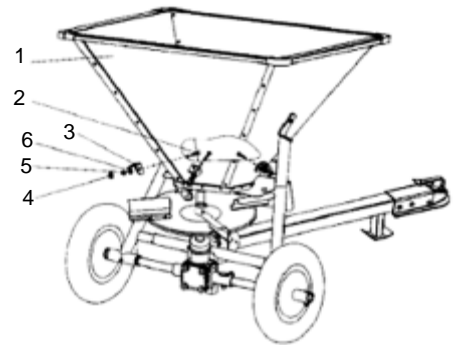
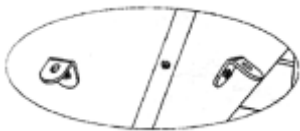
Attach the sides (7,4,2) paying attention to which side is front (7) using 24 ea. (M6) bolts (1) and nuts (3). Next install corner caps using 8 ea. (M6) bolts (1) and nut (3). Then finally attach bottom plate assembly (6) using 12 ea. (M6) bolts (1) and nut (3).



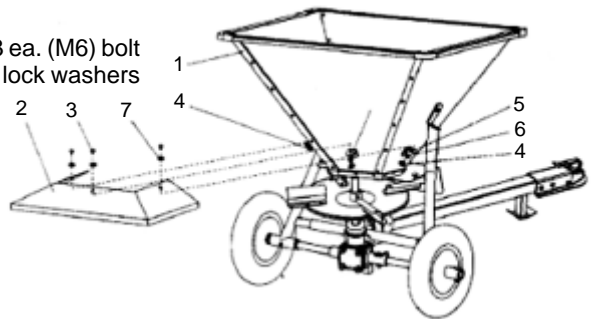
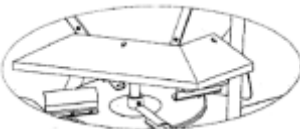
6. Assemble wheels to Spreader using 2 ea. (M8) bolts, flat washers, and lock nuts. Then assemble hopper to spreader base using 3 ea. (M10) bolts (4), nuts (2) and lock washers (5). **Fasten heads inside hopper as shown.**



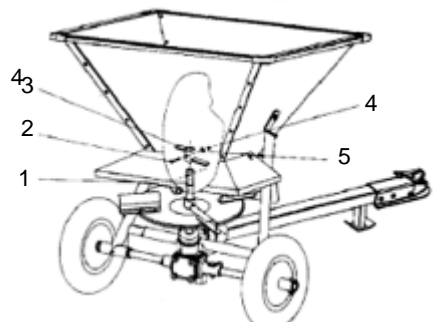
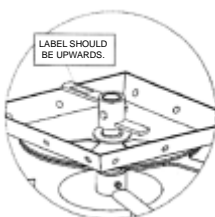
7. Assembly wind drift braces (3) using 3 ea. (M8) bolts (2), nuts (4), flat washer (6), and lock washers (5), attach as shown.



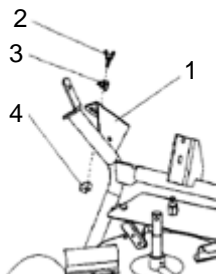
8. Attach wind drift shield (2) with 3 ea. (M6) bolt (3), nuts (4), flat washer (7) and lock washers (6) as shown.



9. Attach hopper auger (3) to shaft (1) using 1 ea. (M10) bolt (2), nut (4) and lock washer (5). **Make sure label faces upward as shown.**



9. Assemble guide assembly as shown using lock knob (2), guide (3) and square nut (4).



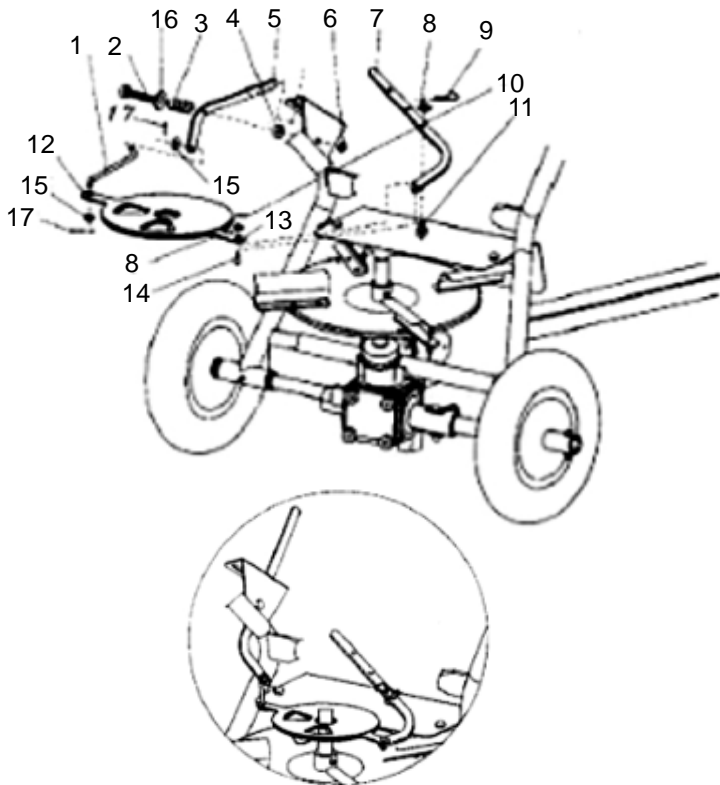
11. Attach levers to feed adjust plates as shown.

Attach lever (5) through feed scale mount using 1 ea. (M10) bolt (2), flat washer (16), spring (3), handle washer (4), and lock nut (6).

Place connecting rod (1) through hole at bottom of lever (5) and attach using flat washer (15) and cotter pin (17).

Place other end of connecting rod (1) into arm of **top** plate and attach using flat washer (15) and cotter pin (17).

Next attach lever (7) to fixed pin (11) using flat washer (8) and cotter pin (9). Then attach opposite end of lever (7) to **bottom** plate arm using shaft pin (14), flat washer (8) and cotter pin (9).



## Introduction

The Big Roc Spreader is a standard centrifugal spreader and is used for the distribution of granular fertilizers, seeds, salts, etc. It can be used by most small / medium powered vehicle (ATV, Tractor, Etc.)

Thoroughly read this manual before operation of spreader and follow all assembly and maintenance procedures / recommendations to help ensure safe and efficient operation of the spreader.

This manual is provided to give the customer operational information and safety rules on the machine, as well as maintenance instructions. Please keep manual handy to refer back to for reference. If lost please call to get a new copy.

## General Information

This manual gives important information in the care and proper use of the machine. The dependability and longevity of the machine depends on the maintenance and attention to the correct information included in the manual.

Some pictures in this manual may show details or accessories that may be different than those of your machine, in order for clarity some items may be removed to allow better view or description. Make sure you clearly understand pictures, if not call for a better explanation.

Throughout this manual you will see symbols like these:



The symbol on the left, with words shown:

DANGER  
ATTENTION  
WARNING

Are used in this manual to draw your attention to the safety and proper operation of the machine, it is necessary to observe all written rules, as these point out specific areas that may cause damage to the machine or personal injury to operator.

## Important Safety Information

**THE FOLLOWING SAFETY RECOMMENDATIONS ARE TO SAFEGUARD YOU THEREFORE IT IS NECESSARY TO READ THEM CAREFULLY, MEMORIZING AND ALWAYS APPLYING THEM.**

***The warnings in this manual regard exclusively the allowed uses and reasonably foreseeable. All below Instructions must be used with common sense and adequate measures to prevent accidents.***

The machine must be used by an experienced, of age operator.

All the listed instructions must be carefully respected.

Possible changes to the machine, not authorized by the manufacturer (by written copy), exclude his responsibility.

Check for correct functioning of the machine, before every use.

Carefully read this manual before proceeding to start, operate, employ or maintenance the machine.

Watch, in addition to the warnings of this manual, all the safety, accident prevention rules of general nature.

The manual must always be handy, so as to consult it, in order to check working cycle and safety information. In case of loss or damage, it will be necessary to ask for a replacement copy.



## ATTENTION



- ▲ Any work of maintenance, adjustment and cleaning must be done with the machine on the ground (stable conditions), turning off the ATV or lawn tractor engine and removing the key.
- ▲ Read carefully the safety labels applied on the machine and follow the instructions.



## ATTENTION - WARNING



- ▲ The operator during the period of use, maintenance, repair, handling or storing of the machine must wear accident-prevention shoes and safety gloves. Moreover, if it is necessary he must wear suitable protections such as earplugs, dust masks and protective glasses.
- ▲ During loading, there is the danger of powders inhalation produced by fertilizer mixing. It is suggested to use suitable safety systems of breathing, like powder masks or masks with filter.
- ▲ The machine is designed for being used by a single operator who, during the use, must always stay in the stationing control on the vehicle.
- ▲ Never work with this machine if you are tired, sick or after drinking, drugs or medicines.



## DANGER



- ▲ It is forbidden to climb or to transport somebody on spreader.
- ▲ Do not put hands inside the hopper for any reason while machine is in motion or capable of moving under its own power.
- ▲ Keep hopper free from foreign bodies (bags, tools, miscellaneous), as they could damage the operations or the operator.
- ▲ Generally fertilizers are corrosive. For this reason, it is important that any particles of fertilizer NOT stay in the machine for a long period of time.
- ▲ Clean the hopper and the distributor after each use of the machine.
- ▲ If during cleaning operations air or water with pressure are used, it is necessary to wear glasses and safety masks and keep away persons or animals from the machine.
- ▲ Before connecting the machine to the vehicle check that this is in good conditions and that brakes work correctly, especially if you work on sloping grounds. .
- ▲ Disconnect the spreader from vehicle only on level ground (with empty hopper), checking that the machine is stable.



## WARNING



- ▲ During transport operations, stocking and deployment of the fertilizers. The operator must follow all the label instructions and particularly to the content of the written risks and the precaution suggestions.

## ATTENTION

The Manufacturer is not responsible for damages caused by an improper and unforeseen use of the machine.

The Manufacturer is not responsible for:

- ▲ Improper use of the machine, use by untrained staff;
- ▲ Serious deficiencies in the foreseen maintenance;
- ▲ Changes or not allowed modifications;
- ▲ Use of non-original or specified spare parts;
- ▲ Failure to fully or partially comply with the instructions;
- ▲ Failure to comply with the common safety rules during work;
- ▲ Unusual cases.

## ATTENTION Connection of the machine to the vehicle.

- ▲ The hitch point of the vehicle and the spreader must coincide or must be adapted.
- ▲ Make sure that the spreader coupler is engaged in right way after every linkage operation of the machine and that it does not come uncoupled.

## ATTENTION/DANGER

The presence of the spreader can influence the maneuverability of the vehicle, in particular during transport.

## ATTENTION

Do not come, for any reason, between the vehicle and the spreader when the vehicle engine is running.

## ATTENTION/DANGER

Movement of the spreader at high speeds can cause damage to the spreader and / or personal injury. Always move spreader at speeds safe for control.

### Operation of the machine:

- ▲ Make a check of the vehicle and spreader before switching it on. Start to work only if the machine is in perfect condition.
- ▲ Before using the spreader, please be sure that all the safety devices are correctly placed and in good condition; in case of breakdowns or damages to the protections, please replace them immediately.

## ATTENTION

During operation, please be sure that there are not any people or animals within a 50 ft. radius of spreader. When you work in proximity of roads or public places, it is absolutely necessary to keep a safe distance from people and to increase the precautions.

## ATTENTION

Anybody who comes up to the machine while under power is in a danger area. The operator must prevent anybody from coming into the danger area and work under maximum caution. If somebody comes up, stop immediately.

- ▲ Before every use of the centrifugal spreader, please always check the wear of the vanes and of the spreader disc. Check that all the fasteners are in and tight.
- ▲ The machine must never be unattended when it is moving.
- ▲ Always keep the machine in good operating conditions and provide regular maintenance.

## ATTENTION

Spreader is not meant for transfer over roads.  
Do Not operate "Off road Use Only Vehicles" on public roads.



## Connection

For connection of the spreader to the vehicle, follow these steps:

1. With vehicle and spreader on level ground, back vehicle in front of spreader and shut-off engine and set parking brake.

**Note: it is necessary to have a 1-7/8" ball on the back of the tow vehicle.**

2. Make sure hopper is empty, lift coupling and set onto tow ball of vehicle.

**Note: use two people if necessary to make alignment easier.**

3. Latch coupler onto ball, check to make sure latching mechanism is holding tight and is fully in latched position, if not, adjust coupler so attachment is correct.
4. Hitch coupler arm should be level within 2° of hitch, if not, correct hitch height on vehicle.
5. Finally check all connections including ball mount, coupler, and for security add pin to coupler lock.



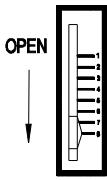
## ATTENTION



Improper leveling of spreader can cause poor spreading as well as poor trailer control.

## Spreader Use Recommendations for correct distribution.

- ▲ Always test the kg/ha that you wish to spread before starting work
- ▲ Use a fertilizer or other material in perfect conditions: humid material may not spread uniformly or correctly
- ▲ Avoid spreading during windy days, to improve uniform distribution.
- ▲ The spread material must always be stored properly to maintain its physical properties, do not keep material in hopper for long periods of time.
- ▲ It is necessary to determine the speed of the centrifugal spreader, before starting the operation of distribution, to stay within possible limits and try to keep consistent for the duration of the spread area



OPEN

# SPREADING CHART

Spreading Chart Fertilizer										Spreading Chart Seed					
	Speed (MPH)	1	2	3	4	5	6	7	8		Speed (MPH)	5	6	7	8
Large Granular Fertilizer	2.5	130	245	402	635	929	1012	1135	1245	Wheat	3.0	0	4	129	265
	5.0	84	122	200	315	466	506	570	625		5.0	0	28	77	181
Medium Granular Fertilizer	2.5	121	311	446	708	925	1024	1118	1180	Alfalfa & Clovers	3.0	44	165	335	645
	5.0	69	158	224	356	483	512	558	594		5.0	26	100	200	385
Fine Granular Fertilizer	2.5	112	189	324	530	747	842	982	1050	Fescue & Rye Grass	3.0	0	0	85	181
	5.0	66	95	156	255	374	421	482	525		5.0	0	0	50	98
Ammonia Sulfate	2.5	226	385	540	890	1238	1352	1524	1587	Kentucky Blue & Bermuda	3.0	30	131	310	680
	5.0	113	184	280	444	615	677	781	816		5.0	18	78	185	395
										Barley & Rye	3.0	0	25	81	185
											5.0	0	15	50	110

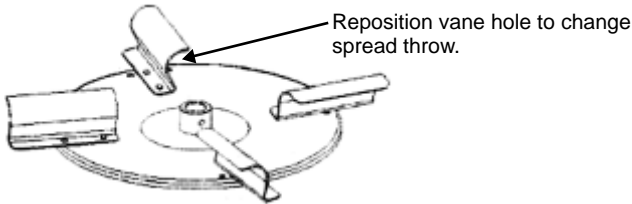
**NOTE: it is not possible to have an exact spreading chart for spreaders using centrifugal force for spreading, given that the distribution quantity depends on the feed speed, radius of distribution, humidity, size and weight of material, and the roughness of the terrain. The spreading chart contains general information and is not to be relied upon as accurate settings but as a starting point for near perfect conditions, in order to determine the quantity of spread in the field, settings must be completed by an experienced and competent operator.**

## How to adjust the spreader vanes

In order to assure equal distribution on both sides of the spreader, depending on the different material specifications, the distributor vanes can be adjusted into varying positions by simply removing the front screw and turning vane, reinstall screw.

When all the vanes are in the 1st position, the distribution is increased towards the left, compared to the way the vehicle is moving. If the vanes are put in the last position the distribution is increased to the right.

**Note: moving the vanes from 1st to last position, moving at the same speed, will affect the distributing width of the spread material.**



## How to adjust the spreading

The spreading is regulated through the use of the levers that move the adjustable tray open or closed at the bottom of the hopper, depending on the amount of material required for operation.

In order to set the regulation, after consulting the spread chart and all the manufactures recommendation from the spread material, it is necessary to move the lever along the graduated scale.

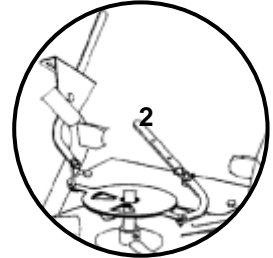


### WARNING



It is important that an experienced and competent operator verifies the correct amount of spread, over use of some fertilizers may damage fields.

In order to spread from both sides lever (2) needs to be positioned so both openings through hopper are open. To spread to the left or right only, lever 2 needs to be positioned to allow material to flow through corresponding opening in hopper.



## Hopper Load

It is advised to use help when loading hopper as bags are heavy.

Do not set bags on top of hopper while transporting spreader to field as they may fall from spreader or compress material making it difficult to spread.



## ATTENTION



Hopper must be loaded only after having hitched the spreader to vehicle.

## Spreading in the field



## WARNING



The operator during the period of use, maintenance, repair, transport or storing of machine, must wear accident prevention articles which may include; shoes, gloves, eye, ear, and breathing apparatus.

After following procedures for safety, attaching spreader, and filling hopper, it is possible to begin work.

Once to the open lever 2 to start the flow of material and proceed at consistent speed until plot is equally covered. Spread starts as vehicle moves forward, speed is critical for optimum spreading.



## WARNING



Before getting off the spreader vehicle make sure parking brake is applied and engine is turned off.

### **Common spreading mistakes**

- ▲ Drive speed.
- ▲ Incorrect spreading width.
- ▲ The spreader is not horizontal to the land.
- ▲ Terrain is too difficult to drive consistently.
- ▲ Improper spread setting.
- ▲ Lack of cleaning and maintenance.
- ▲ Fertilizer or material is of poor quality, wet, or compacted.
- ▲ Material does not correspond to manufactures specifications.
- ▲ Foreign material in spread.
- ▲ Spreader exit clogged.
- ▲ Spreader vanes set incorrectly.
- ▲ Worn or damaged spreader parts.

## Maintenance / Storage

The following maintenance criteria is not to be consider all inclusive but a general rule of thumb. Good maintenance will keep the spreader working trouble free for a long time.



## WARNING



Always perform maintenance in a safe manner, keep spreader on flat ground, do not have vehicle running, make sure vehicle is secure from moving.

If the spreader becomes damaged, the operator must stop the machine immediately, access the problem and perform the appropriate action before continuing use of spreader.

Every 8 hours of operation or less for operation on very harsh terrain, the fasteners of the spreader must be check to make sure none have vibrated loose.

If vibration is noticed during operation stop vehicle and check spreader vanes for wear and check for loose fasteners.

Clean the hopper and the distributor after each use of the machine.



## WARNING



If pressurized air or water is used make sure appropriate protective articles are used.  
Do not use flammable liquids to clean spreader.

### Lubrication

- ▲ Before using the spreader for the first time, put 25 shots or until grease flows out of hub (with a hand grease gun) in zerks on spreader transmission and wheel hubs. After every 8 hours of use put in (3 to 4 shots with a hand grease gun). Make sure the grease zerks are clean from dirt and other foreign materials before injecting the grease. **NOTE: Use only a grade Type II or Lithium tube grease.**
- ▲ Spreader should be stored ready to use next time needed. Do not store spreader with damaged or missing parts as failure to fix can be forgotten and further damage or hazards may be encountered during next use.  
Store the spreader in a dry area protected from the elements.
- ▲ Do not store with fertilizer in hopper or any other material as these are typically corrosive and can damage the hopper over time. Also the material can solidify and be difficult to remove or even damage the spreader.
- ▲ Before storing for long periods; Wash the spreader thoroughly, visually inspect the spreader, grease the machine, and store in dry location.

### Komodo ATV Seed Spreader Limited Warranty

KOMODO., ("Distributor") warrants its ATV SEED SPREADER products (the "Products") as follows:

#### 1. Limited Warranty.

Distributor warrants to original purchaser, providing **Proof of Purchase**, that the Products sold hereunder will be free from defects in material and workmanship for a period of **one** year from date of purchase. If the products do not conform to this Limited Warranty during the warranty period (as herein specified), Buyer shall notify Distributor, in writing, within the warranty period, and the defects are of such type and nature as to be covered by this warranty, Distributor shall, at its own expense, furnish replacement products or, at Distributor's option, replacement parts for the defective products. Shipping and installation of the replacement Products or replacement parts shall be at Buyer's expense.

#### 2. Other Limits.

THE FOREGOING IS IN LIEU OF ALL OTHER WARRANTIES, EXPRESS OR IMPLIED, INCLUDING BUT NOT LIMITED TO THE IMPLIED WARRANTIES OF MERCHANTABILITY AND FITNESS FOR A PARTICULAR PURPOSE. Distributor does not warrant against damages or defects arising out of improper or abnormal use or handling of the Products; against defects or damages arising from improper installation, against defects in products or components. Distributor passes on to Buyer the warranty received (if any) from the maker thereof of such Manufacturer made products or components. This warranty also does not apply to Products upon which repairs have been affected or attempted by persons other than pursuant to written authorization by Distributor. Fasteners are not covered in this warranty.

#### 3. Exclusive Obligation.

THIS WARRANTY IS EXCLUSIVE. The sole and exclusive obligation of Distributor shall be to repair or replace the defective Products in the manner and for the period provided above. Distributor shall not have any other obligation with respect to the Products or any part thereof, whether based on contract, tort, strict liability, or otherwise. Under no circumstances, whether based on this Limited Warranty or otherwise, shall Distributor be liable for incidental, special, or consequential damages.

#### 4. Other Statements.

Distributor's employees or representatives' ORAL OR OTHER WRITTEN STATEMENTS DO NOT CONSTITUTE WARRANTIES, and shall not be relied upon by Buyer, and are not a part of the contract for sale or this Limited Warranty.

#### 5. Entire Obligation.

This Limited Warranty states the entire obligation of Distributor with respect to the Products. If any part of this Limited Warranty is determined to be void or illegal, the remainder shall remain in full force and effect.

Please, take a moment to fill in these blanks for your own records.

Customer's Name: \_\_\_\_\_  
 Purchased From: \_\_\_\_\_ Model No: \_\_\_\_\_  
 Date Purchased: \_\_\_\_\_ Serial No: \_\_\_\_\_

**KOMODO ATV Accessories**  
 1311 John Reed Ct.  
 City of Industry, CA 91745 USA  
 1(800)333-8889