



ATV ^{FLIP} SINGLE BUCKET CARRIER

Owner's Manual



Congratulations on your purchase of Komodo ATV Flip Single Bucket Carrier. We build the carrier to be durable for years of trouble free use. We provide you the innovative design which allows the carrier to be used for standard 5 gallon buckets and folds up when not in use. With proper installation and maintenance the carrier will be a reliable tool providing greater use and will increase the value of your ATV.

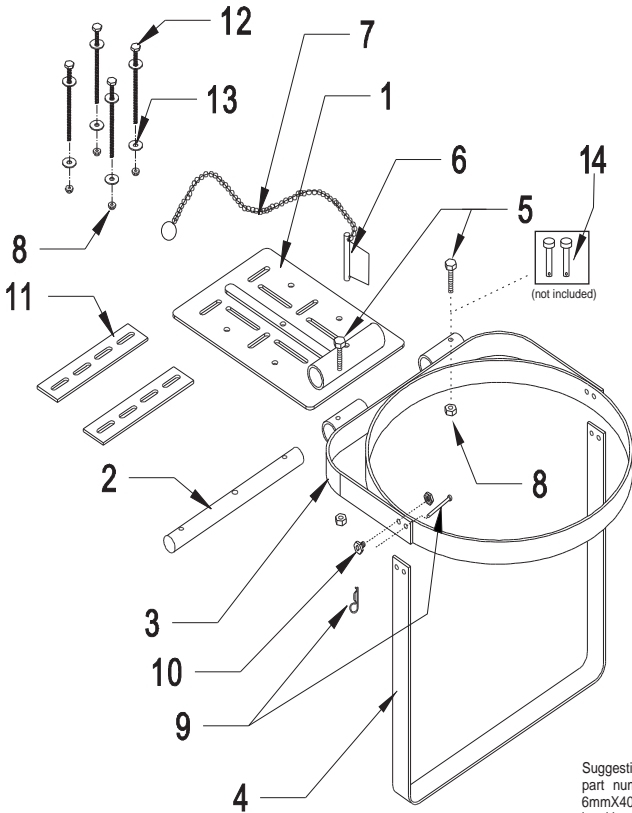
#ATVBCF

WARNINGS

- ▲ Read, study, and follow all instructions before attempting to use these devices. Failure to follow instruction or head warnings may result in personal and/or property damage.
- ▲ Do not attach Single Bucket carrier where it will interfere with safe operation of ATV.
- ▲ **Caution: attaching Single Bucket carrier where it may extend out beyond ATV may cause it to get caught on passing objects, care should be taken when Bucket Carrier is in down position and ATV is in motion.**
- ▲ Always secure the bucket in the carrier with straps and make sure items in buckets can not fly out.
- ▲ Caution should be taken if bungee's or rubber straps are used to hold item in carrier as these may allow for item to bounce and can cause injury if strap disengages or snaps.
- ▲ Do not place items in carrier which exceed 50 lbs. or the limit of the factory ATV rack.
- ▲ Do not cantilever the mounting bracket more than 1" beyond the rack as this will dramatically reduce the weight capacity of the carrier.
- ▲ Special care should be taken when transporting flammable liquids as the may spill as the vehicle is in motion, causing possible damage or injury to ATV or rider.
- ▲ Make sure all bolts are tight before use and periodically check for tightness as vibration may cause nuts to loosen over time and can cause damage to carrier or personal injury.
- ▲ Do not force screws as this may cause threads to strip, which may cause damage to carrier or personal injury.
- ▲ Do Not operate ATV without Snap Pin in place as this may cause damage

Parts List//Diagram

No.	Qty.	Description
1	1	Hinged Bucket Plate
2	1	Hinged Pin
3	1	Hinged Bucket Frame
4	1	Bucket Support Strap
5	2	6mmX38mm Hex Bolt
6	1	6mmX45mm Snap Pin
7	1	Chain Lanyard
8	8	6mm Lock Nut
9	2	6mmX20mm Clevis Pin & Clip
10	2	6mmX20mm Hex Bolt & Nut
11	2	Mounting Plate
12	4	6mmX80mm Hex Bolt
13	8	6mm Flat Washer
14	2	6mmX40mm Pin (not included)



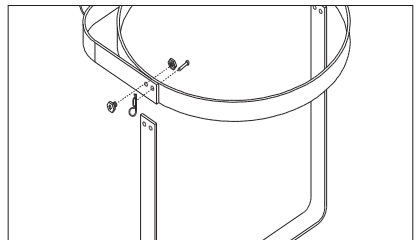
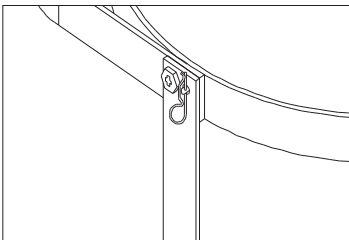
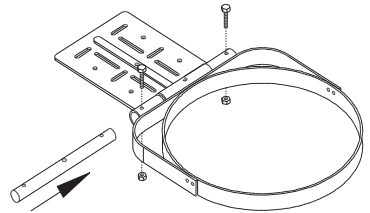
Suggestion: Using a 6mmx40mm Clevis Pin and Clip to replace part number 5 will allow a faster flipping of your carrier. 6mmx40mm Clevis Pins and Clips should be available at most local hardware stores.

Assembly Instructions (Carrier):

▲ Insert Hinge Pin (2) through Hinged Bucket Frame (3) and Hinged Bucket Plate (1), Using 2ea. Screw (5) and 2ea. Nylok Nut (8) line up holes and fasten hinge pin to bucket frame. Note: Pins (14) can be substituted for screws (5) to allow for bucket carrier to be removed from ATV easily, leaving only the mounting plate (1).

▲ Next using, 2ea. Screws (10) and 2ea. Clevis Pin & Clip (9), Attach Bucket Support Strap (4) to Bucket Frame (3) as shown.

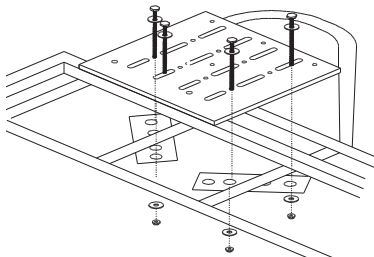
Note: one screw and one pin per each side, hole farthest from mounting plate when in down position should have pin.



Attachment Instructions:

- Using two mounting plates (11), four bolts (12), four nuts (8), and eight washers (13) secure the Bucket plate (1) to the ATV rack, as shown.

Note: do not cantilever the mounting plate more than 1" beyond the rack. The brackets should be placed where they straddle the factory rack tube. Do not fully tighten fasteners at this time. Care should be taken to assure that the bolt heads and brackets will not interfere with ability to flip the Bucket carrier. Also that bolts do not contact plastic or other parts of the ATV that may get scratched or damaged. Bolts should be cut down to prevent interference.



- Verify that the Single Bucket Carrier fits properly and does not interfere while operating the ATV, tighten all bolts making sure that mounting bracket is correctly aligned.

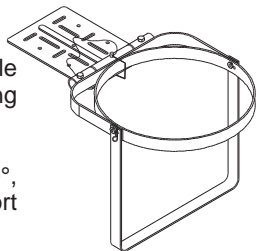
Note: it is normal for the mounting brackets to deform as they are tightened. For composite racks find the best mounting hole location and mount brackets, making sure to have access to the mounting nuts from underneath.

Use of Carrier:

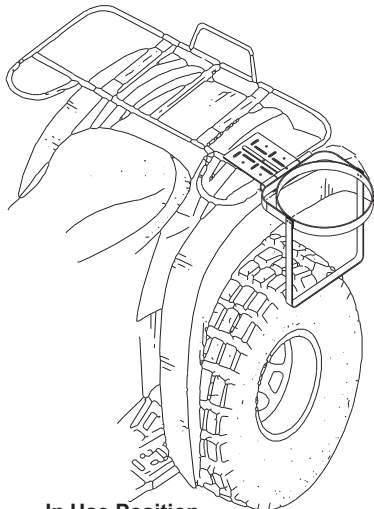
- Once Single Bucket Carrier is installed properly, insert bucket and properly secure using tie-downs or additional fastening method.

Note: make sure screws are tightened before using carrier.

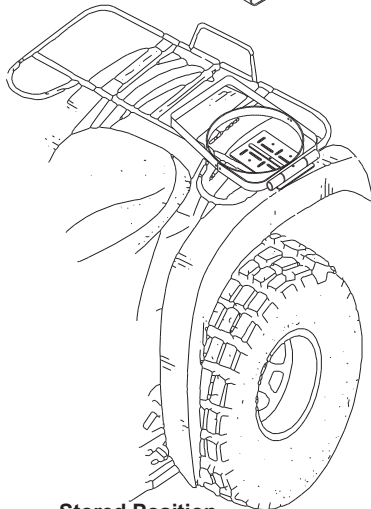
IN USE POSITION - Using Snap Pin (6) insert into hinge hole location to prevent Bucket Frame from bouncing up and causing damage.



STORED POSITION - Remove Snap Pin (6) and rotate 180°, reinsert Snap Pin. Remove Clevis Pin (9) from Bucket Support Strap (4) and rotate 90° and reinsert Clevis Pin and Clip.



In Use Position



Stored Position

For parts or warranty issues contact:

KOMODO ATV Accessories
1311 John Reed Ct.
City of Industry, CA 91745 USA
1(800)333-8889

Patent Pending