



# 2PC ATV BASKET SET WITH DROP SIDES

## Owner's Manual



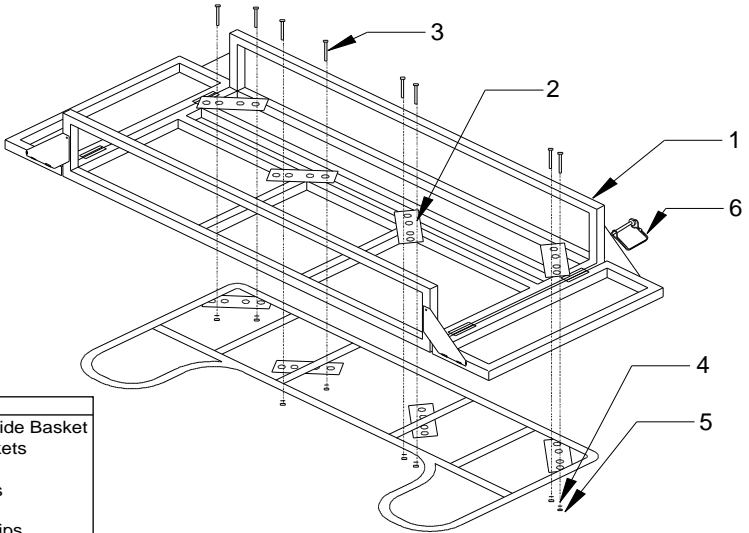
Congratulations on your purchase of Komodo ATV Baskets. We build these baskets to be durable for years of trouble free use. We provide you with innovative design features of drop sides for carrying long objects (cargo). With proper installation and maintenance the baskets will be a reliable tool providing greater use and increasing the value of your ATV.

## WARNING

- Read, study, and follow all instructions before attempting to use these devices. Failure to follow instruction or heed warnings may result in personal and/or property damage.

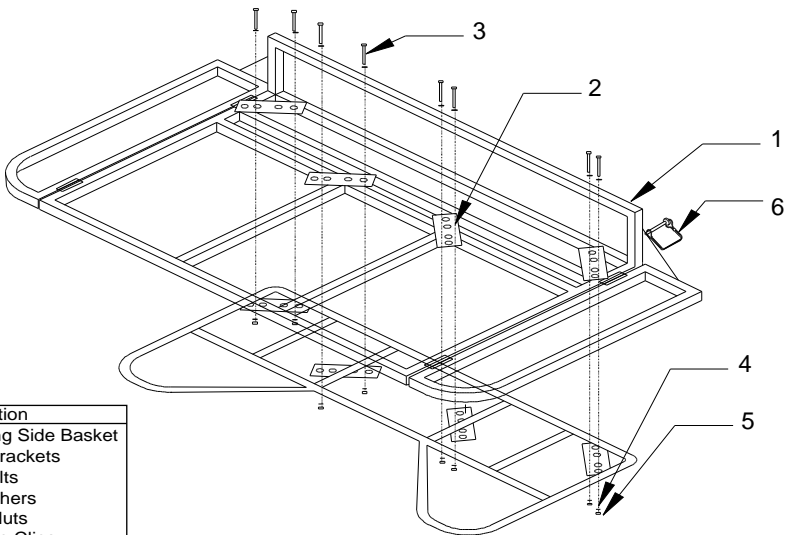
## Parts List//Diagram

### FRONT BASKET



No.	Qty.	Description
1	1	Front Folding Side Basket
2	8	Mounting Brackets
3	8	M6 x 80 Bolts
4	16	6 SAE Washers
5	8	M6 Nylon Nuts
6	2	Folding Side Clips

### REAR BASKET



No.	Qty.	Description
1	1	Rear Folding Side Basket
2	8	Mounting Brackets
3	8	M6 x 80 Bolts
4	16	6 SAE Washers
5	8	M6 Nylon Nuts
6	2	Folding Side Clips

## Assembly Instructions

- ▲ Dry fit the front basket onto the factory front rack, move into preferred position and check for any interference. *Note: if there is an upright rack section, depending on the size and type of upright it may be necessary to remove upright before basket installation.*
- ▲ Apply the self stick adhesive pads between the basket and rack to prevent scratching.
- ▲ Using two mounting brackets (2), two bolts (3), two nuts (5), and four washers (4) secure the basket to the ATV rack, as shown. The brackets should be placed where they straddle the basket tube and rack.
- ▲ Care should be taken to assure that the bolt heads and brackets will not interfere with items carried in the basket or with the operation of the folding sides. *Note: it is normal for the brackets to deform as they are tightened. For composite racks find the best mounting hole location and mount brackets, making sure to straddle the basket tube and have access to the mounting nuts from underneath.*
- ▲ Repeat step 3 and mount the remaining three brackets. Space the mounting brackets evenly over the basket area. Once all four brackets are in place, tighten all bolts making sure that basket is correctly aligned.
- ▲ Mount rear basket in same manner as front basket.

## WARNING

- ▲ Do not exceed the manufactures rack weight limit capacity when using baskets.
- ▲ Make sure folding side clips are used in both the up or down position, failure to lock in position may cause sides to swing freely and damage hinges or sides.

## Other Komodo ATV products

Be sure to ask your retailer for more Komodo ATV Accessories to fit your needs.

3-Way ATV Hitch



ATV Bucket/Grate Carrier



ATV Drag Harrow



ATV Multi-fit Carrier



ATV Deep Basket



ATV Wheel Chock



## Komodo 2pc ATV Basket Set Limited Warranty

KOMODO., ("Distributor") warrants its **2pc ATV BASKET SET** (the "Products") as follows:

### **1. Limited Warranty.**

Distributor warrants to original purchaser, providing **Proof of Purchase**, that the Products sold hereunder will be free from defects in material and workmanship for a period of **one year** from date of purchase. If the products do not conform to this Limited Warranty during the warranty period (as herein specified), Buyer shall notify Distributor, in writing, within the warranty period, and the defects are of such type and nature as to be covered by this warranty, Distributor shall, at its own expense, furnish replacement products or, at Distributor's option, replacement parts for the defective products. Shipping and installation of the replacement Products or replacement parts shall be at Buyer's expense.

### **2. Other Limits.**

THE FOREGOING IS IN LIEU OF ALL OTHER WARRANTIES, EXPRESS OR IMPLIED, INCLUDING BUT NOT LIMITED TO THE IMPLIED WARRANTIES OF MERCHANT ABILITY AND FITNESS FOR A PARTICULAR PURPOSE. Distributor does not warrant against damages or defects arising out of improper or abnormal use or handling of the Products; against defects or damages arising from improper installation, against defects in products or components. Distributor passes on to Buyer the warranty received (if any) from the maker thereof of such Manufacturer made products or components. This warranty also does not apply to Products upon which repairs have been affected or attempted by persons other than pursuant to written authorization by Distributor. Fasteners are not covered in this warranty.

### **3. Exclusive Obligation.**

THIS WARRANTY IS EXCLUSIVE. The sole and exclusive obligation of Distributor shall be to repair or replace the defective Products in the manner and for the period provided above. Distributor shall not have any other obligation with respect to the Products or any part thereof, whether based on contract, tort, strict liability, or otherwise. Under no circumstances, whether based on this Limited Warranty or otherwise, shall Distributor be liable for incidental, special, or consequential damages.

### **4. Other Statements.**

Distributor's employees or representatives' ORAL OR OTHER WRITTEN STATEMENTS DO NOT CONSTITUTE WARRANTIES, and shall not be relied upon by Buyer, and are not a part of the contract for sale or this Limited Warranty.

### **5. Entire Obligation.**

This Limited Warranty states the entire obligation of Distributor with respect to the Products. If any part of this Limited Warranty is determined to be void or illegal, the remainder shall remain in full force and effect.

**KOMODO ATV Accessories**  
1311 John Reed Ct.  
City of Industry, CA 91745 USA  
1(800)333-8889