



ATV 3-WAY HITCH

Owner's Manual



Patent Pending

Congratulations on your purchase of this Komodo ATV 3 Way Hitch. We build the hitch to be durable for years of trouble free use. We provide you with innovative design features which allows you to be able to attach accessories to your ATV without having to buy multiple hitch devices. This product also allows for more turning clearance when towing with your ATV. With proper installation and maintenance the hitch will be a reliable tool providing greater use and increasing the value of your ATV.

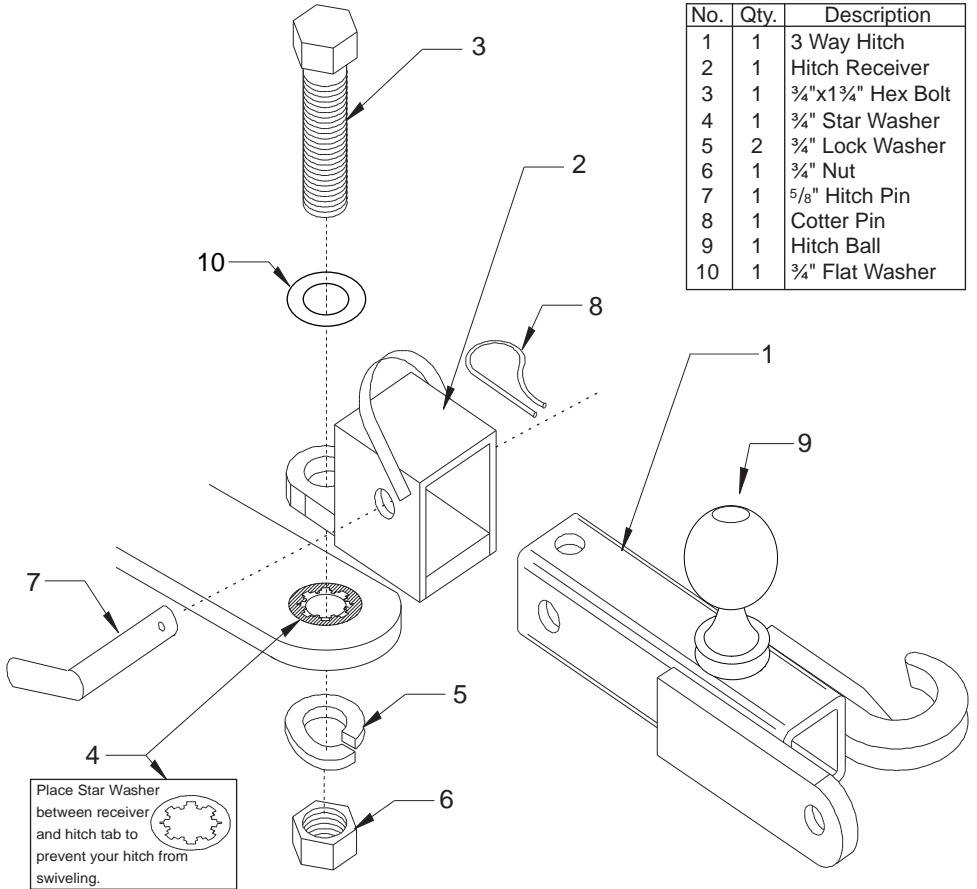
#ATV3WH

WARNINGS

- ▲ Read, study, and follow all instructions before attempting to use these devices. Failure to follow instruction or heed warnings may result in personal and/or property damage.
- ▲ Do not attach 3 Way Hitch where it will interfere with safe operation of ATV.
- ▲ Make sure bolt is tight before use and periodically check for tightness as vibration may cause nut to loosen over time and can cause damage to hitch or personal injury to rider.
- ▲ Always check to make sure cotter pin and hitch pin are in good shape, if not replace.
- ▲ Be aware of ground clearance when using hitch as steep hills may reduce clearance.
- ▲ Always check to make sure all connections at hitch are correct.
- ▲ Do not exceed manufactures rating for towing with ATV.
- ▲ Do not exceed safe speeds when towing any accessory; refer to accessory manual or limitations.
- ▲ Due to towing load, the steering may be affected, use caution when towing heavy loads.
- ▲ Be aware of engine temperature as towing may put extra load on ATV engine and cause it to heat up; give the engine periodic breaks to avoid overheating.
- ▲ Use caution when engaging or disengaging towing accessory; as some can be heavy and may require two people for safety reasons.
- ▲ Make sure towing accessory is properly aligned with hitch and do not use if the hitch is out of alignment.

Parts List//Diagram

No.	Qty.	Description
1	1	3 Way Hitch
2	1	Hitch Receiver
3	1	3/4"x1 3/4" Hex Bolt
4	1	3/4" Star Washer
5	2	3/4" Lock Washer
6	1	3/4" Nut
7	1	5/8" Hitch Pin
8	1	Cotter Pin
9	1	Hitch Ball
10	1	3/4" Flat Washer



Assembly Instructions:

- ▲ Insert Bolt (3) through the hitch the hitch receiver (2) add Star Washer (4) then pass bolt through factory hitch hole on the ATV. Next, use lock washer (5) and nut (6) to thread onto the bolt. Holding the hitch straight tighten the nut and bolt.

Note: Install hitch receiver on top of the ATV mount or to lower your hitch height by 2" install under the ATV mount making sure always to keep Star Washer 4 sandwiched in between the receiver and the hitch tab to prevent swiveling.

- ▲ Insert the hitch (1) by sliding into receiver (2) selecting the desired use. This adapter can be used 3 different ways to add versatility to your ATV. Allows the use of a ball hitch, a pin hitch, and a tow hook for use with tow straps. The welded loop is for chain attachment.

Use of Hitch:

Once 3 Way Hitch is installed properly, insert receiver to desired use and properly secure with hitch and cotter pin. Check towing accessory making sure to use all safety fastening methods, (ex. chains). The 3 Way Hitch can be reconfigured to fit another item by simply removing the Hitch and cotter pin; then reinsert hitch to position and secure using hitch and cotter pin.

Komodo ATV 3 Way Hitch Limited Warranty

KOMODO., ("Distributor") warrants its **ATV 3 WAY HITCH** products (the "Products") as follows:

1. **Limited Warranty.**

Distributor warrants to original purchaser, providing **Proof of Purchase**, that the Products sold hereunder will be free from defects in material and workmanship for a period of **one year** from date of purchase. If the products do not conform to this Limited Warranty during the warranty period (as herein specified), Buyer shall notify Distributor, in writing, within the warranty period, and the defects are of such type and nature as to be covered by this warranty, Distributor shall, at its own expense, furnish replacement products or, at Distributor's option, replacement parts for the defective products. Shipping and installation of the replacement Products or replacement parts shall be at Buyer's expense.

2. **Other Limits.**

THE FOREGOING IS IN LIEU OF ALL OTHER WARRANTIES, EXPRESS OR IMPLIED, INCLUDING BUT NOT LIMITED TO THE IMPLIED WARRANTIES OF MERCHANTABILITY AND FITNESS FOR A PARTICULAR PURPOSE. Distributor does not warrant against damages or defects arising out of improper or abnormal use or handling of the Products; against defects or damages arising from improper installation, against defects in products or components. Distributor passes on to Buyer the warranty received (if any) from the maker thereof of such Manufacturer made products or components. This warranty also does not apply to Products upon which repairs have been affected or attempted by persons other than pursuant to written authorization by Distributor. Fasteners are not covered in this warranty.

3. **Exclusive Obligation.**

THIS WARRANTY IS EXCLUSIVE. The sole and exclusive obligation of Distributor shall be to repair or replace the defective Products in the manner and for the period provided above. Distributor shall not have any other obligation with respect to the Products or any part thereof, whether based on contract, tort, strict liability, or otherwise. Under no circumstances, whether based on this Limited Warranty or otherwise, shall Distributor be liable for incidental, special, or consequential damages.

4. **Other Statements.**

Distributor's employees or representatives' ORAL OR OTHER WRITTEN STATEMENTS DO NOT CONSTITUTE WARRANTIES, and shall not be relied upon by Buyer, and are not a part of the contract for sale or this Limited Warranty.

5. **Entire Obligation.**

This Limited Warranty states the entire obligation of Distributor with respect to the Products. If any part of this Limited Warranty is determined to be void or illegal, the remainder shall remain in full force and effect.

Please register your product at www.komodoatvacc.com

Item # ATV3WH
Purchase Date: _____
Retailer's Name: _____

Notes

For parts or warranty issues contact:
KOMODO ATV Accessories
1311 John Reed Ct
City of Industry, CA 91745 USA
1(800)333-8889